

BOLLA SFIORO 190 X 190

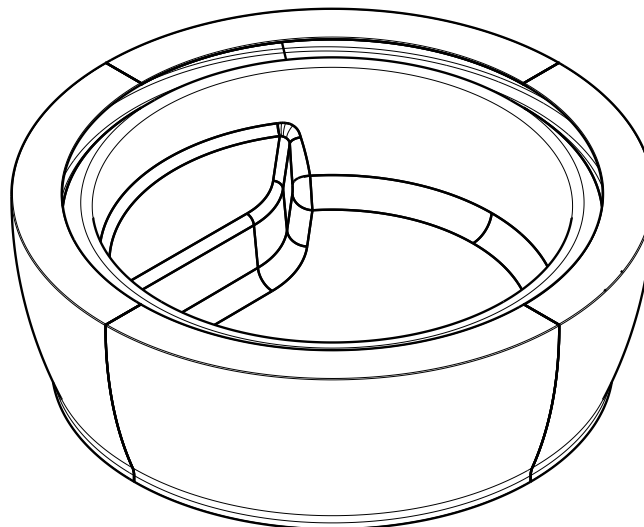
technical data sheet



The bath must be installed by a qualified electrician and plumber.

Before connecting the bath, the installer must see that the electrical system is protected by a circuit breaker (0.03) and that the earthing system complies with the laws in force in the country of installation.

The whirlpool bath must be connected to the electrical system permanently (with an H05 cable - 3x2.5 mm² three-pole with a 2.5 mm² cross section) by means of a double-pole switch (minimum 3 mm opening between contacts) and suitably rated (KW) for the appliance to be connected, located away from areas 0,1,2,3 and from areas where jets of water are possible.



SISTEMI	Caratteristiche elettriche				Bocchette		Cont. acqua	max	Dimensioni			Dim. imballo			Peso	
	Volt	A	kW	Hz	Whirl	Air			diamet.	altezza	lung.	largh.	altezza	netto	lordo	
Whirl. digitale	230	3.6 / 10.4*	0.8 / 2.3*	50	12	—	-	650	190	—	64	200	200	85	70	114
Airpool	230	3.2	0,7	50	—	24	-	650	190	—	64	200	200	85	70	114
Whirl. airpool	230	6.8 / 13.6*	1.5 / 3.0*	50	12	24	-	650	190	—	64	200	200	85	80	124
Vasca con telaio	—	—	—	—	—	—	-	650	190	—	64	200	200	85	60	104

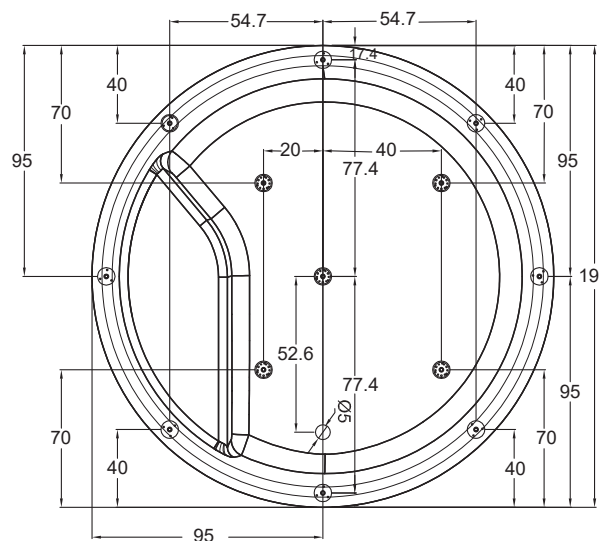
*Con opzione (riscaldatoe da 1.5kW)

The bath must also be connected to the building's equipotential earthing system by means of a terminal on the frame. If the bath is to be recessed in walls, the guarantee will only be valid if the walls are fitted with inspection and aeration grids of a suitable size. It is also important that the bath can be taken out at any time without having to do anything to the walls.

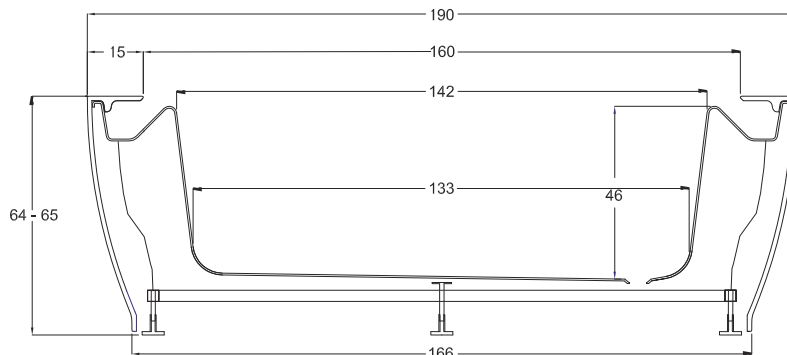
WARNING: if all or even part of the above described conditions are not complied with the safety of the whirlpool bath cannot be guaranteed and, as such, not only is the guarantee invalidated but also the manufacturer can in no way be held liable for any direct or indirect damages caused by the bath.

In those cases where such conditions are not complied with, the guarantee will only cover the substitution of parts deemed defective and not the labour needed if the bath has to be removed.

Provide shut-off cocks out of the dimensions of the product for hot and cold water closing.





The overall dimensions are given in centimetres. Actual dimensions can vary by ± 1 cm.



If the bath is recessed the masonry cannot reenter more than 1 cm with respect to the external edge of the bath. An inspection panel and air intake must be installed.

LEGEND:

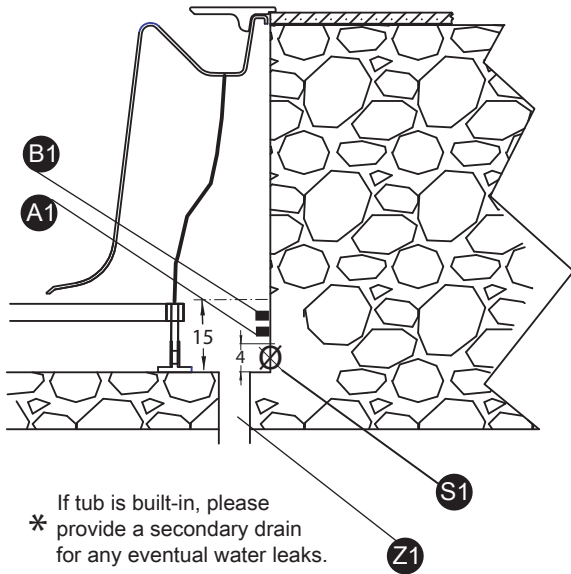
A - A1 - Mixed water outlet controlled by a mixer.

	Operating pressure:
	- MIN 150 kPa (1,5 bar)
	- MAX 300 kPa (3,0 bar)
	Hot water temperature:
	- MAX 60°C (140°F)

B - B1 - Power outlet
H05 3x2,5mm (minimum. length. 3 [m]).
Equalization cable.

S - S1 - Flush-to-floor drain Ø 50 or wall drain Ø 50.
Z1 - Safety secondary drain.*

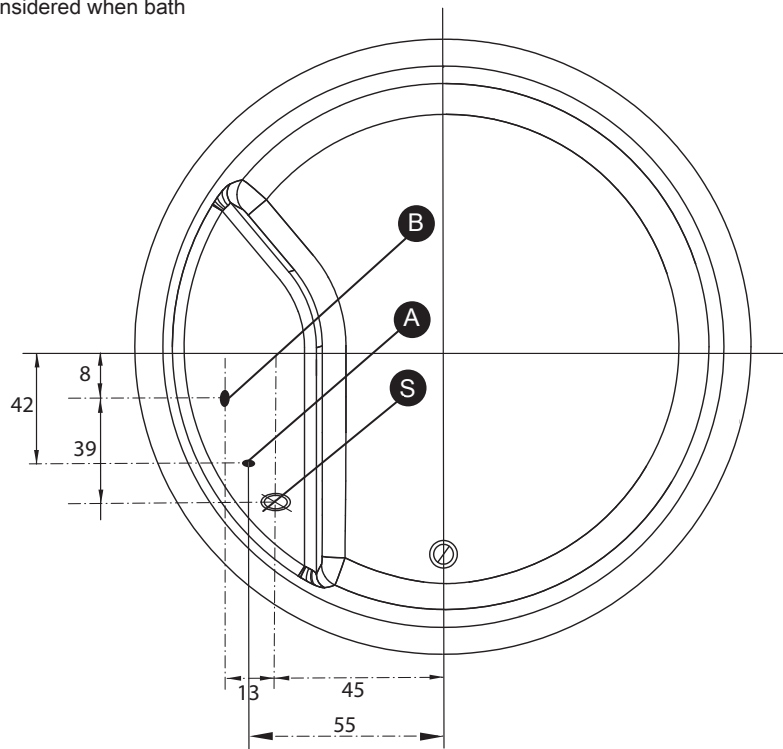
- PREPARE FOR TUB BUILT-IN.



Please note that.

Attacks A1-B1-S1-Z1 have
to be considered when bath
is built.

- CONDITIONS FOR PANNELED TUB.



Notes:

- Position of the outlets in the wall
of the pit, haven't to be over the
frame height up to 15cm.

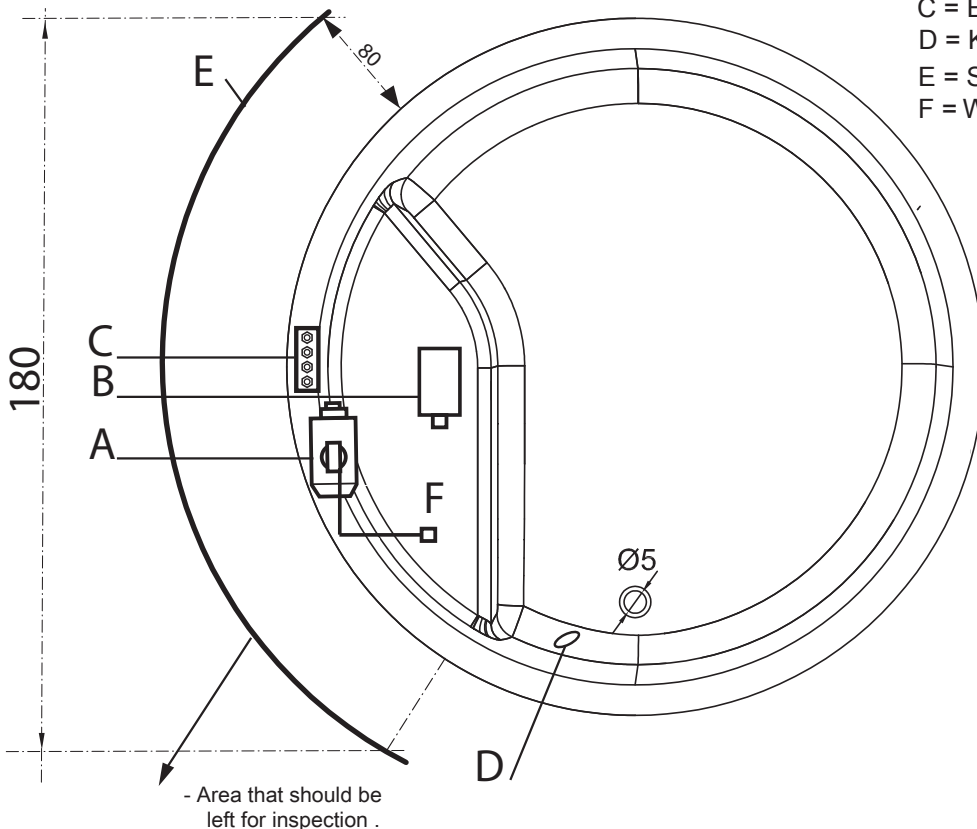
If the water pressure is higher than
indicated, install pressure reducers.

NOTES:

Do not prepare the power cable for
baths with frame.

Prepare the equipotential cable in all
cases.

POSITIONING THE TURNING ON CONTROLS AND TAPS



- A = PUMP - Airpool tubs excluded
- B = BLOWER - Digital whirlpool tubs excluded
- C = ELECTRONIC UNIT.
- D = KEYBOARD.
- E = SERVICE AREA.
- F = WATER INPUT 1/2"

Whirlpool Airpool
Whirlpool Digitale
Airpool

Position can be different A-B-C-F
according with accessories presence
(chromotherapy).

PANELS MOUNTING

